

The Ezi-Turf Valve is the only Turf Valve (Q.C. Valve) available which does not connect and disconnect under mains water pressure.

This eliminates any risk of injury or the unexpected dousing of the person operating the valve.

PRESSURE LOSS THROUGH 25MM

“EZI-TURF™”

TURF VALVE AND VALVE OPENER

PRESSURE KPA	FLOW RATE L/MIN.	PRESSURE LOSS KPA
200	136	19
300	167	26
400	193	33
500	215	41
600	237	44
700	255.5	50

Note 1: Flow tests were independently conducted by Brisbane Water Engineering Services.

Note 2: When comparing Ezi-Turf™ pressure losses with other brands of quick coupling valves, it is not necessary to allow for additional loss through a 90° swivel elbow on the EZI-TURF™.

Ezi-Turf™ Turf Valve 1”

Testimonials

Scott McKay - Superintendent North Lakes Golf Club, Queensland, Australia

“I started in the industry at Indooroopilly in Brisbane in the mid 80’s, spent 8 years as Superintendent on various Courses throughout Asia and have been Superintendent at North Lakes since August 2002. Prior to getting all of my machinery, my spraying was done by verti spraying and we were using the EZI-TURF Valve extensively. The major advantages I see are:

- we don’t have the problem of a bayonet handle catching in the valve box.
- no leaking at base of valve from turning by the key.
- the direction of the outlet can be set to whatever we want.
- never get sprayed with effluent water when disconnecting.
- there is no fear of injury from blow back when disconnecting.

I am extremely pleased with the EZI-TURF Valve and feel that once anyone has used them they would not accept anything else, especially with Workplace Health & Safety issues these days.”

Jason Adams - Superintendent Wynnum Golf Club Inc., Queensland, Australia.

“For the last five years, I have been Superintendent at Wynnum Golf Club which has brought me back to where I started in this industry in 1987.

Originally we installed the bayonet style QC valves on the greens but since the EZI-TURF Valve has been released, we have installed them on the roughs and landscape areas and are extremely pleased with them.

The EZI-TURF Valves are very easy to install and when we use the key, we do not get splashed like we do with the bayonet style.

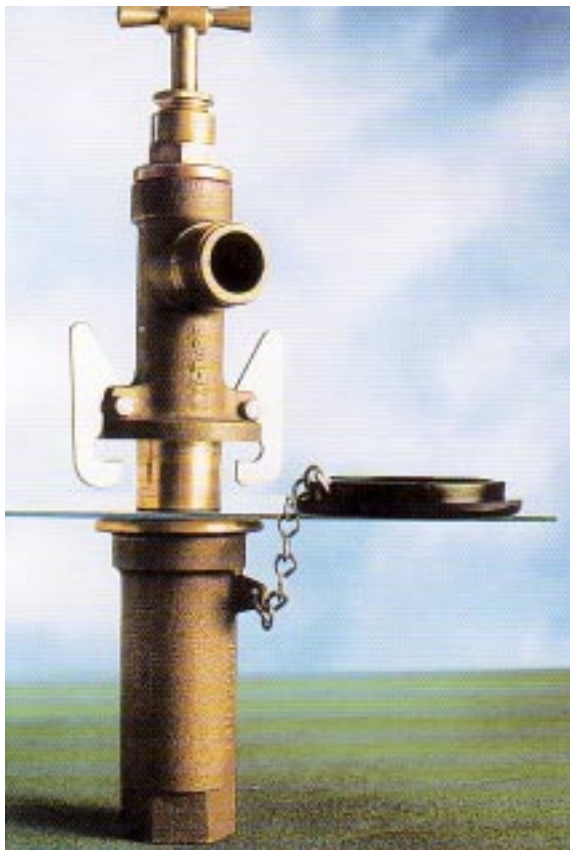
With the tap in the head of the key, we can control the flow and therefore stop sprinklers from misting and save water.

We do not get problems with stones, etc. jamming the plunger on these valves and it is extremely easy to change the outlet direction.

This is a valve that is easy to recommend for use to anybody.”

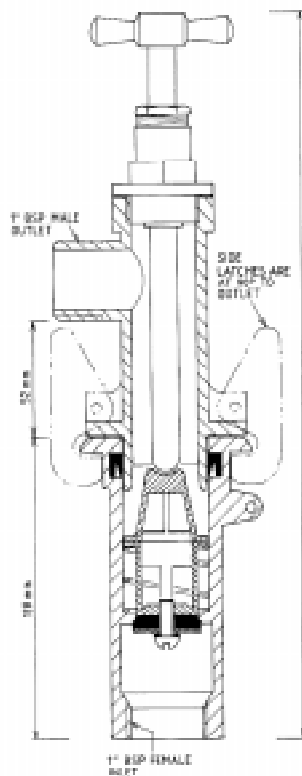
EZI-TURF™

THE NEW DESIGN KEYLESS TURF VALVE WITH THE SOLUTION TO ALL YOUR TURF VALVE PROBLEMS.



New Australian Made Ezi-Turf
Turf Valve and Valve Opener

- Correctly operated, the Ezi-Turf valve opener will apply zero rotational thrust on the bottom thread of the valve so constant use will never create underground leakage – **no need for stabilisers or supports.**
- The tap type valve opener allows finite flow control – **not necessary to fit additional control valves.**
- The unique stainless steel latching system allows for 360° swivelling of the discharge port on the opener – **no additional swivel elbow required.**
- All flow apertures in the Ezi-Turf valve and opener have been designed to allow at least the equivalent flow of a 25mm hose – **no key to restrict water flow.**



WEIGHT:
Valve Opener
1.234kg
Turf Valve
1.079Kg

- The rugged valve and valve opener bodies are Cast in LG2 gunmetal.
- The tension spring, circlip and all washers, bolts and nuts are made of stainless steel.
- All other metal components are cast and/or machined brass.
- The Ezi-Turf valve comes with a moulded rubber pressed fit top cover which is attached to the body by a zinc plated chain.
- The Ezi-Turf valve and valve opener have been independently tested up to 200 p.s.i. (1380 kpa).

Overall width with latches
fully extended = 115mm

MANUFACTURED BY EZI-TURF™ FOR
QUEENSLAND IRRIGATION SERVICES PTY LTD

PO Box 856 Virginia BC Qld 4014
31 Basalt St Geebung Qld 4034
ABN 50 733 120 590

Phone : (07) 3265 7799 (Intl) : (617) 3265 7799
Fax : (07) 3865 1764 (Intl) : (617) 3865 1764
Email : info@qldirrig.com.au

- Australian Patent No: 731847 (52630/99)
- New Zealand Patent No. 500040
- Australian Registered Trademark No 775504

AVAILABLE FROM: