

QUEENSLAND IRRIGATION SERVICES PTY LTD

“SERVICING THE INDUSTRY SINCE 1977”

Phone: (07) 3265 7799

ABN 50 733 120 590

P.O. Box 856

Fax: (07) 3865 1764

Virginia BC

Email: info@qldirrig.com.au

www.qldirrig.com.au

4014 QLD

Aluminium & Cast Iron Irrigation Hydrants

All Types of Irrigation Coupling Rubbers

Cast Iron Irrigation Outlet Tees

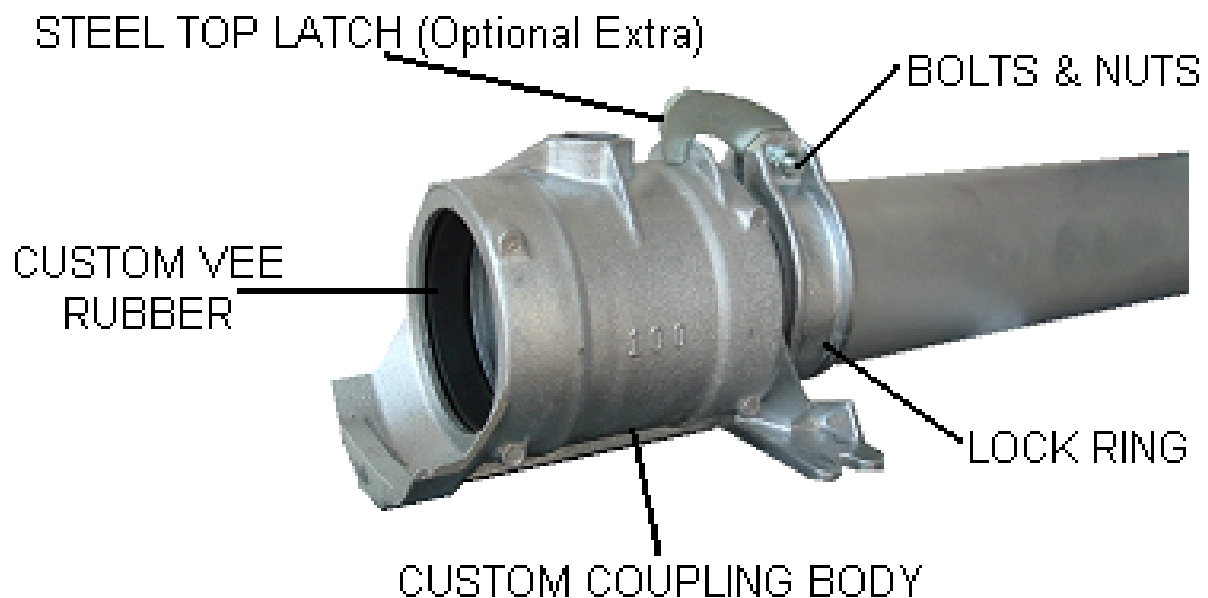
WETTA Sprinklers

Aluminium Irrigation Couplings & Flanges

Foot Valves & Fittings

Hand Priming Pumps

ANKA Products



The Custom range (2", 3", 4" and 5") of aluminium pipe couplings are made in Australia to the highest standard using only quality materials.

The Custom couplings are compatible with:

- Pope Flexalite
- Southern Cross NT
- IBC Fastlock
- Fieldlok
- Aim

The foot on the body of the coupling is wider than the competitors giving better stability. The lock-ring latches into the bottom of the coupling but a top latch is also available if required.

All couplings come with a 1" BSP threaded outlet on the top. The 5" model can be tapped to 1½" BSP on each side if required. Maximum working pressure is 125 psi.

Medium Drain and Non-Drain vee seals are available for all sizes except 5" where only Non-Drain is available.

We stock a comprehensive range of spare parts available for immediate delivery ex-warehouse.